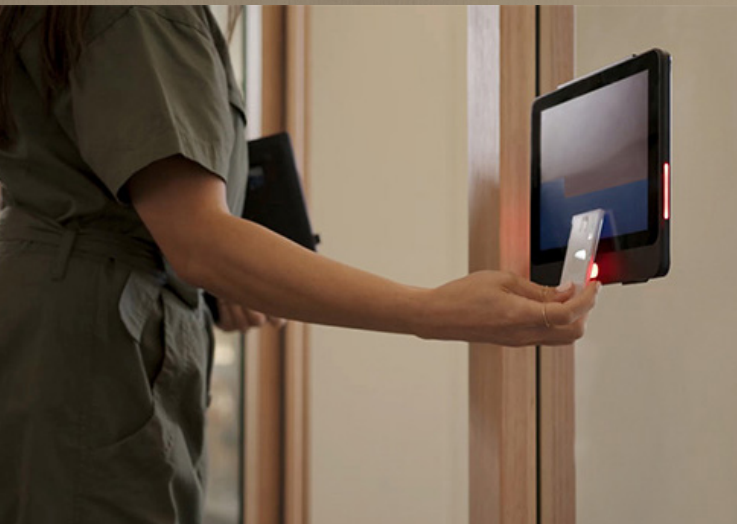


ROOMS



Features:

Floorsense Rooms extends occupancy monitoring and on-demand bookings to the meeting room.

Rooms provides the ability to book the physical space to support virtual meetings created in other systems. It offers a rich analytics system to report on room occupancy vs room size and drill down on busy periods to find peaks based on room features.

Complimenting the Floorsight (desk) and Smartalock (locker) systems, Floorsense provides an App for booking desks, lockers and meeting rooms, all in one place. Improving employee experience and creating a truly integrated workplace technology system.

- Book rooms on demand
- 0365/ Azure /G suite compatible
- Finish early or auto-extend booking
- Screen auto-power off during out of hours
- Ceiling mounted occupancy sensor
- Booked meetings start by just walking into the room
- No-shows allow the room to become free after 10 minutes of no-one checking physically into the room
- Auto-finish early frees up the room earlier than the finish time
- Optional under desk or table mounted sensors
- Report on actual levels of occupancy- 2 people in a 10 person room
- Perpetual software license
- Configuration and software updates via remote admin interface for all meeting rooms

Design: FLOORSENSE

Warranty: 2 years (Up to 5 years extended warranty)
(Refer to Floorsense Warranty Document for more details)

Finishes:

Tablet:



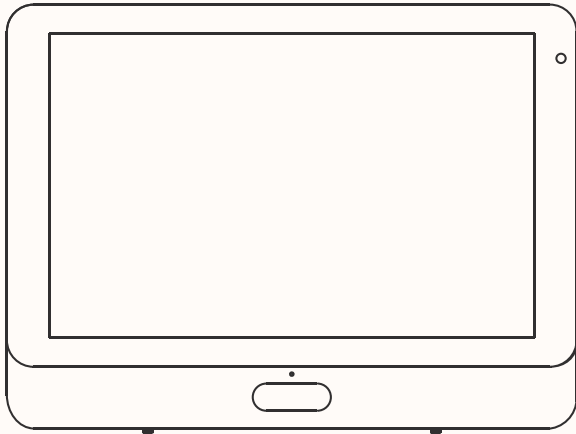
Black

Sensors:



White

Dimensions:

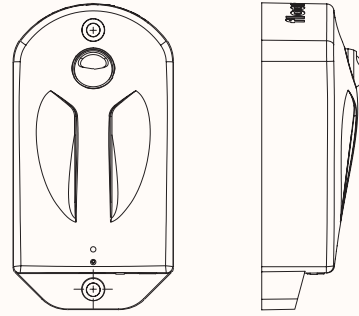


Room- Tablet

OW 261mm
OD 194mm
OH 27mm

Tablet Hardware:

- Touchscreen
- LED Bar shows room status colour
- PoE Powered - Single cable for power and data
- Connect via LAN
- Integrated Swipe Card Reader
- Integrated Prox Bluetooth Beacon
- VESA mount, side mullion mount or adhesive glass mount

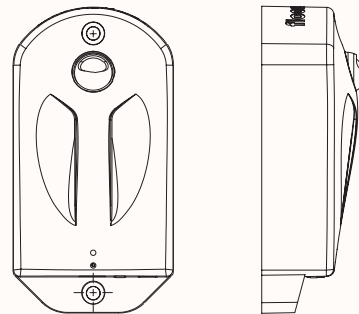


Ceiling Sensor FS-D22-MR

OH 85mm
OW 45mm
OD 29mm

Features:

- Includes PIR occupancy sensor with integrated low frequency radio. Battery model with 5 year battery life. Lens aperture for room operation (360 degree opening).
- The occupancy sensor is mounted to the ceiling or your meeting room.

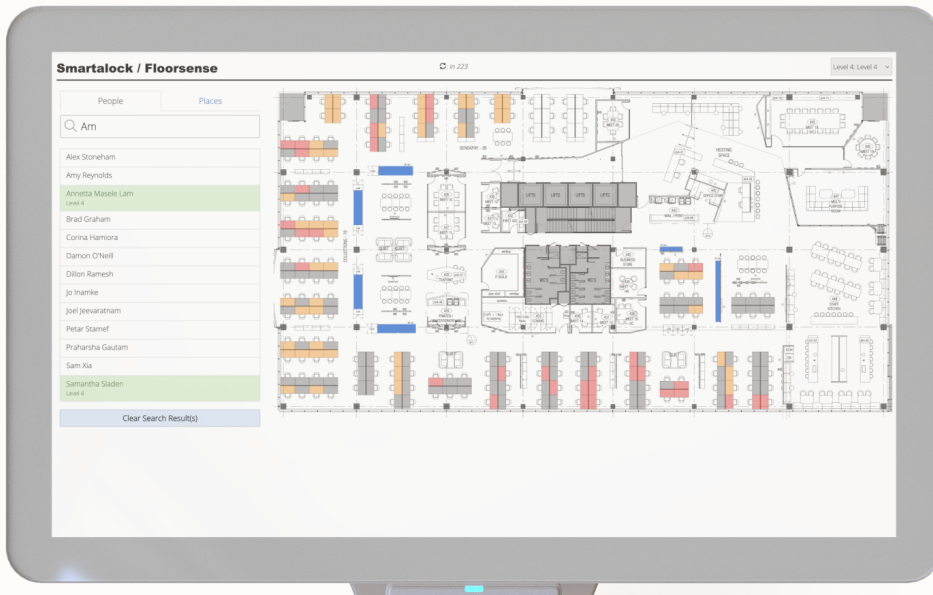


Under Table Sensor FS-D22-NR

OH 85mm
OW 45mm
OD 29mm

Features:

- Includes PIR occupancy sensor with integrated low frequency radio
- Battery model with 5 year battery life
- Lens aperture for Narrow field of view operation
- The occupancy sensor fits neatly under the desktop meeting table



Floorplans as standard

- Desks, Lockers and Meeting Rooms occupancy all on a single live floorplan
- Tap on Meeting rooms to see its room timetable and book a meeting for now or later
- No additional charges



Book Room on Smartphone App:

- Book a meeting Room, Desk and or Locker from one app
- User Search and Wayfinding
- Report issues to facilities
- Can integrate into a client owned App for even more functionality
- iPhone and Android native App
- Additional web based version for others

User Interface:

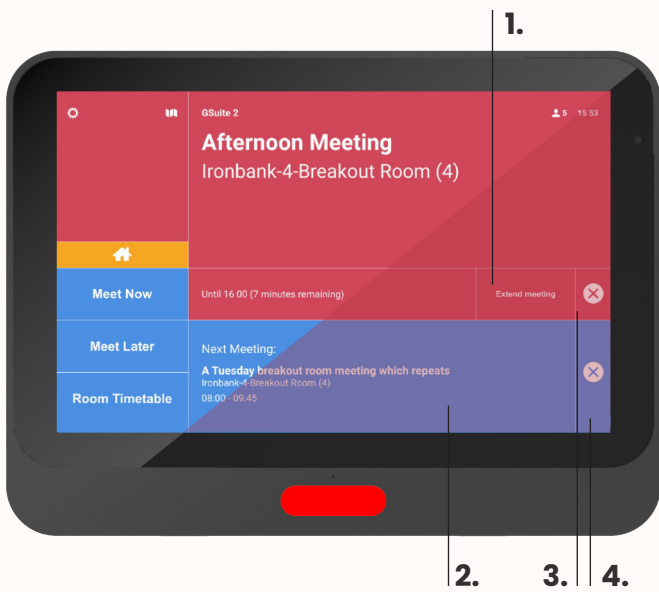


Free:

1. Floorplan view
2. Current State – colour coded matches external LED lighting
3. Large clear buttons
4. Next up meeting

Book Room on Tablet:

1. Meet Later (3 taps)
2. Pick a start time
3. Pick a duration
4. Swipe building card or tap phone to confirm



In Use:

1. Tap to extend meeting
2. Time remaining
3. Tap to finish early
4. Tap to cancel next meeting