

Cable Management



CONTENTS:

Cable Hub	2
Glovebox	4
Wire Basket	5
Services Mounting Plate	6
Cable Sleeve	7
Cable Tractor	8
Rectangular Umbilical	9
96mm Duct Mounted on Z Bracket	10
96mm Duct Mounted on Vertical Bracket	10
Duct Bridges	11
Cable Tray 250 x 75	12
Cable Duct	13
Hinged Front Cable Box	14
86mm Cable Box (Fixed Height)	15
86mm Cable Box (Variable Size)	16
Cable Tray Open & Closed	17
Top Mount Plates	18
Worktop Mount Duct	19
Powerblade	20
Leg Box	23

Cable Hub – 500mm

Features:

The Cable Hub has two sets of mounting brackets at each end and can be fixed to the worktop at two different heights. Please ensure it will not clash with other items fixed underneath the worktop such as table support beams or in-desk boxes.

Options:

- Cable Hub
- Cable Hub with Cable Sleeve
- Cable Hub with Tractor

Finishes:

100% Recyclable PET:



Mid-Grey

Powder coated Mounting Brackets:

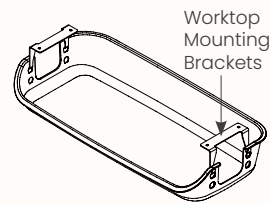


Warm
Grey



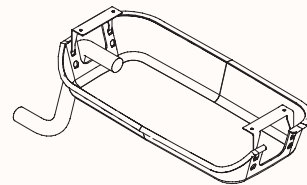
Cool
Grey

Dimensions:



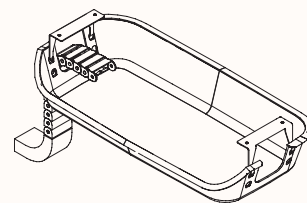
Cable Hub

Length Range	530mm
	500mm (Internal)
Depth Range	250mm
Overall Height	100mm ; 125mm



Cable Hub with Cable Sleeve

Length Range	530mm
	500mm (Internal)
Depth Range	250mm
Overall Height	100mm ; 125mm



Cable Hub with Tractor

Length Range	530mm
	500mm (Internal)
Depth Range	250mm
Overall Height	100mm ; 125mm

Cable Hub – 950mm

Features:

The Cable Hub has two sets of mounting brackets at each end and can be fixed to the worktop. Please ensure it will not clash with other items fixed underneath the worktop such as table support beams or in-desk boxes.

Options:

- Cable Hub
- Cable Hub with cable sleeve
- Cable Hub with Tractor

Finishes:

100% Recyclable PET:



Mid-Grey

Powder coated Mounting Brackets:

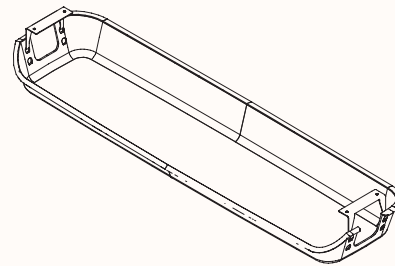


Warm
Grey



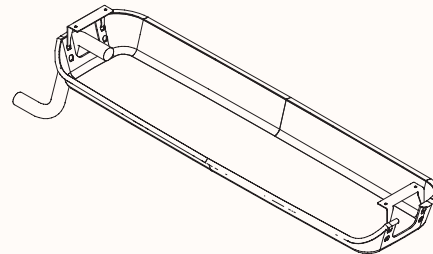
Cool
Grey

Dimensions:



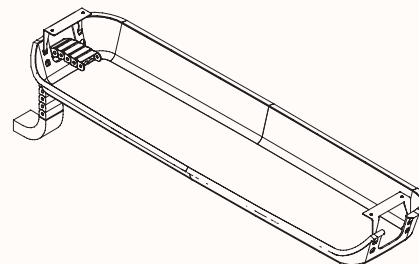
Cable Hub

Length Range	980mm 950mm (Internal)
Depth Range	250mm
Overall Height	100mm ; 125mm



Cable Hub with Cable Sleeve

Length Range	980mm 950mm (Internal)
Depth Range	250mm
Overall Height	100mm ; 125mm



Cable Hub with Tractor

Length Range	980mm 950mm (Internal)
Depth Range	250mm
Overall Height	100mm ; 125mm

Glovebox

Glovebox with or without Power Plate

Features:

The Glovebox is a formed PET cable dump in a fixed size. A low cost and less capacity alternative to the power plate is to order the Glovebox 'without power plate' and then separately order the Services Mount Plate.

Options:

- Power plate for housing CMS soft wiring sockets

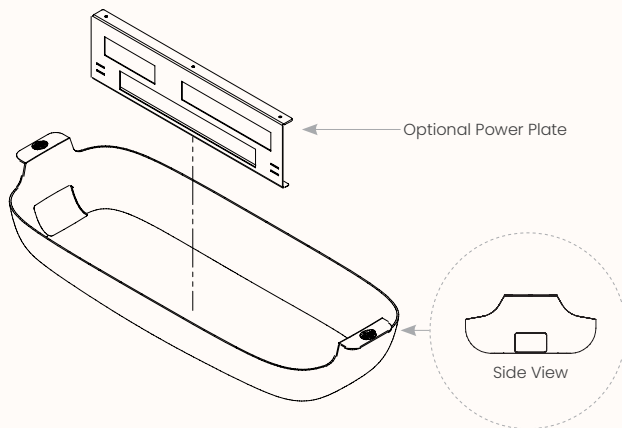
Finishes:

100% Recyclable PET:



Mid-Grey

Dimensions:



Length Range	876mm
Depth Range	325mm
Overall Height	152mm

Glovebox with Retracting Cable Tractor:

The Glovebox is a formed PET cable dump in a fixed size. It is available with an optional power plate for housing CMS soft wiring sockets. The retracting cable tractor neatly houses the cables and prevents them from getting tangled with moving parts.

Finishes:

100% Recyclable PET:



Mid-Grey

Cable Tractor:

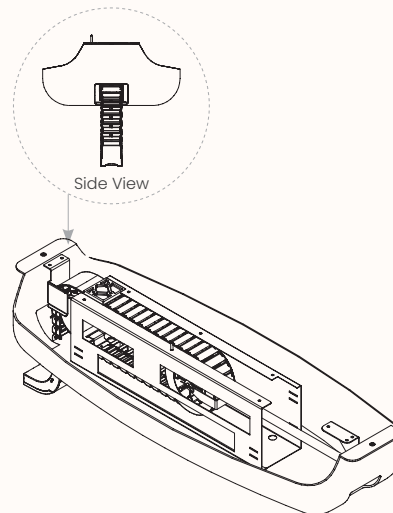


Black



White

Dimensions:



Length Range	876mm
Depth Range	325mm
Overall Height	152mm

Wire Basket

Wire Basket - 950mm

Features:

Wire Baskets are made of wire mesh folded into a range of standard basket sizes. The worktop mounting brackets are welded to the mesh and the basket is then powder coated. The basket height/depth depends on the worktop mounting brackets.

Options:

- Single Sided
- Double Sided

Finishes:

Powder coat:



Black Ace



Warm Grey



Cool Grey

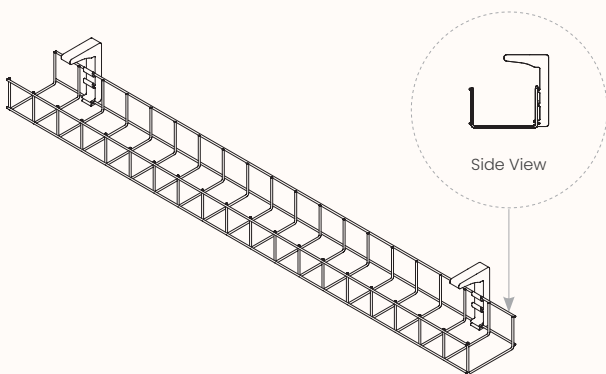


Warm White



Cool White

Dimensions:



Length Range	950mm
Depth Range	50mm
Overall Height	50mm

Services Mounting Plate

Features:

The Services Mount Plate is a simple folded sheet metal part to suit required power and data softwiring outlets. The overall plate size is fixed, and are available two types of plates – dual and quad.

Options:

- Dual plate fit 2x data and 2x GPO
- Quad plate can fit 2x data and 4x GPO

Finishes:

Powder coat:



Black
Ace



Warm
Grey



Cool
Grey

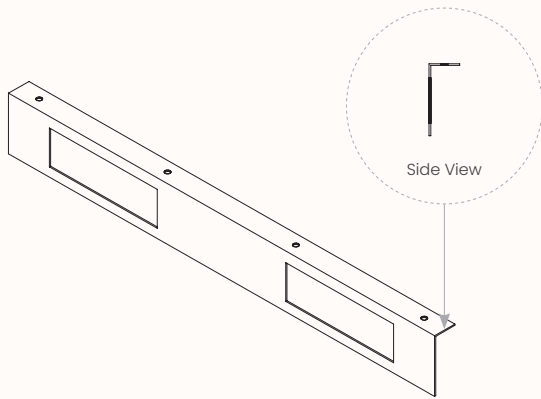


Warm
White



Cool
White

Dimensions:



Length Range	520mm
Depth Range	25mm
Overall Height	65mm

Cable Sleeve with ABS

Features:

The braided Cable Sleeve cleverly conceals the under desk cabling on all Zenith workstations. Designed with a loop at each end to attach the sleeve to the worktop and ducting or floor. Each sleeve can house a maximum of 2 power and 5 data cables. The Sleeve is a textured fabric with a matching ABS guide. It is located inside the braided Cable Sleeve to stiffen the fabric giving it a more rigid appearance. The ABS strip can be removed if desired.

Finishes:

Fabric:



Black

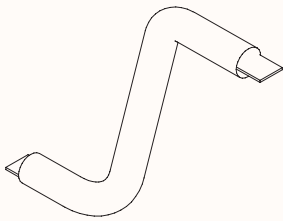


Grey



White

Dimensions:



DIA	25mm
Length Range	1000mm

Cable Tractor

Features:

The Cable Tractor carries cables from the duct to the worktop and is mainly suited to height adjustable desks. It comes with end brackets and fasteners and has no internal segregation.

Finishes:

Powder coat:



Black
Ace

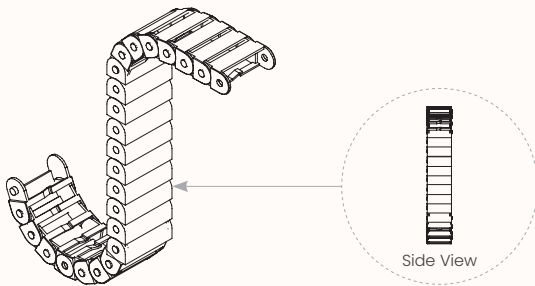


Warm
White



Cool
White

Dimensions:



Length Range	50mm
Depth Range	20mm
Overall Height	1000mm

Rectangular Umbilical

Features:

The Rectangular Umbilical carries cables from the duct to the worktop and is mainly suited to height adjustable desks. There are two types of mounting brackets to suit different desk systems:

Rectangular Umbilical – Vertical Cable Management

The Rectangular Umbilical carries cables from the access floor to the worktop and comes with a floor base at one end and a worktop mounting bracket at the other end. The umbilical comes in a variety of lengths to suit different desk applications:

- 750mm L (suits 720 / 750H fixed height desks)
- 900mm L (suits 900H fixed height desks)
- 1050mm L (suits 1050H fixed height desks)
- 1230mm L (suits electric adjust desks)

The umbilical segment is approx. 68mm x 36mm and has internal segregation into 4 compartments.

Finishes:

Powder coat:



Black
Ace



Warm
Grey



Cool
Grey

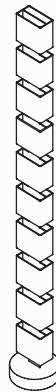


Warm
White



Cool
White

Dimensions:



Length Range	68mm
Depth Range	36mm
Overall Height	750/900/1000/1050/1230mm

96mm Duct Mounted on Z Bracket / Vertical Bracket

96mm Duct Mounted on Z Bracket

Features:

The 96mm Duct can be fixed to the worktop using Z-brackets. The Z-brackets offset the duct to give flexibility in the mounting position and avoid other items under the worktop.

Finishes:

Powder coat:



Black
Ace



Warm
Grey



Cool
Grey

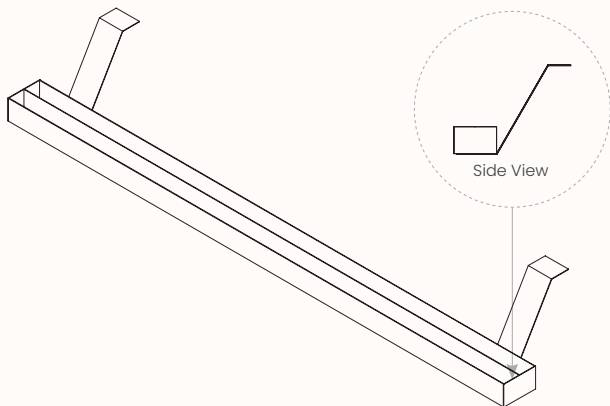


Warm
White



Cool
White

Dimensions:



Length Range	500-2700mm
Depth Range	236mm
Overall Height	160mm

96mm Duct Mounted on Vertical Bracket

Features:

The 96mm Duct can be fixed to the worktop using vertical brackets. The Vertical Brackets provide a smaller footprint and give flexibility in the mounting position and avoid other items under the worktop.

Finishes:

Powder coat:



Black
Ace



Warm
Grey



Cool
Grey

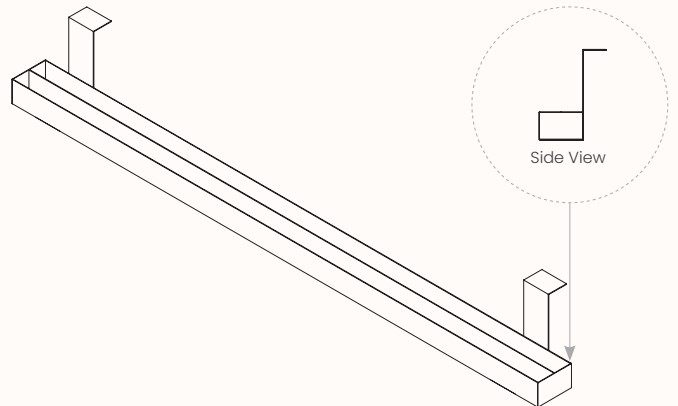


Warm
White



Cool
White

Dimensions:



Length Range	500-2700mm
Depth Range	149mm
Overall Height	160mm

Duct Bridges

Features:

Australian standards require electric height adjustable desks to be separated by a 25mm gap (minimum). This is a safety measure to reduce the risk of injury to users. Duct Bridges are available to physically space Orbis workstations 25mm apart and to conceal the cables between adjoining desks. The type of Duct Bridge depends on the desk configuration, screen type & duct type.

Options:

- Single Desk Duct Bridge Option 1 & Option 2
- Worktop Duct Bridge

Finishes:

Powder coat:



Black
Ace



Warm
Grey



Cool
Grey

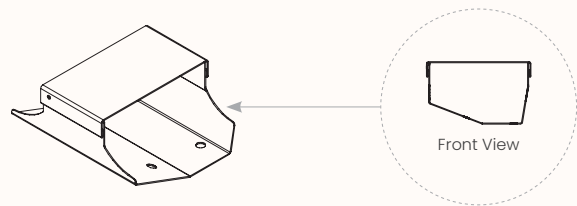


Warm
White



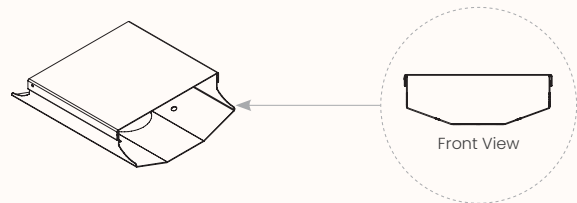
Cool
White

Dimensions:



Single Desk Duct Bridge

Length Range	216mm
Depth Range	177mm
Overall Height	61mm



Workpod Desk Duct Bridge

Length Range	216mm
Depth Range	177mm
Overall Height	61mm

Cable Tray 250 x 75

Features:

The Cable Tray has mounting / cutout features to suit umbilicals, access floor powerblades and cable ties. Optional accessories include tray lid, end cover and GPO insert.

Finishes:

Powder coat:



Black
Ace



Warm
Grey



Cool
Grey

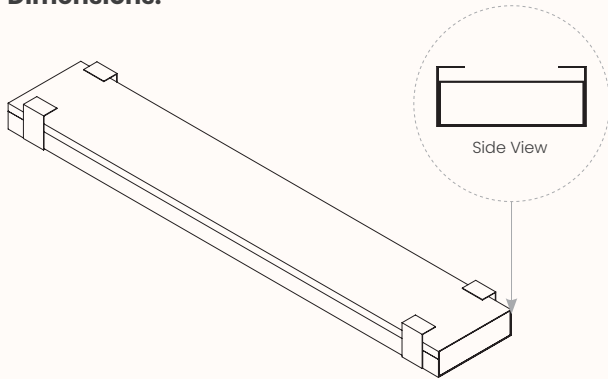


Warm
White



Cool
White

Dimensions:



Length Range	Variable
Depth Range	250mm
Overall Height	75mm

Cable Duct

Features:

The Cable Duct is a simple folded sheet metal part with variable sizing. The length, width, height and front flange height of the Cable Duct are variable. The Cable Ducts are compatible with all workstations/tables.

Finishes:

Powder coat:



Black
Ace



Warm
Grey



Cool
Grey

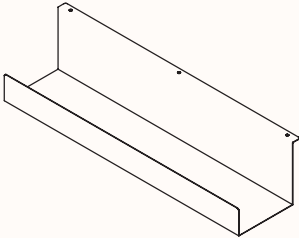


Warm
White



Cool
White

Dimensions:



Length Range	min 300 to max 1250mm
Depth Range	min 90 to max 150mm
Overall Height	min 90 to max 150mm

Hinged Front Cable Box

Hinged Front Cable Box

Features:

The Cable Box is folded sheet metal and has a hinged door to give access to internal cabling. The door has a magnetic closure and there is a cutout at each end of the Cable Box for cables to pass through. The length, width and height of the Cable Box & hinged door are variable. The hinged-front Cable Boxes are compatible with all workstations/tables.

Finishes:

Powder coat:



Black
Ace



Warm
Grey



Cool
Grey

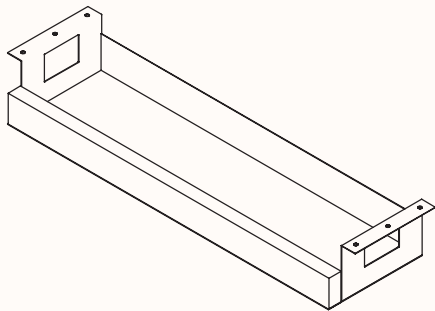


Warm
White



Cool
White

Dimensions:



Length Range	min 400 to max 1300mm
Depth Range	min 150 to max 300mm
Overall Height	min 90 to max 250mm

86mm Cable Box (Fixed Size)

Features:

The 86mm Cable Box suits 86mm sockets.
 There are 4 types of 86mm Cable Boxes:
 Single Row Type A, Single Row Type B, Double Row Type A,
 Double Row Type B.

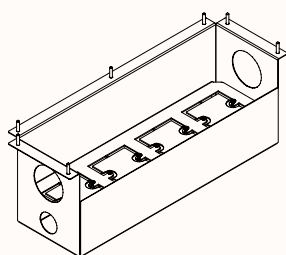
For each type of 86mm cable box there are 4 standard sizes available: 310mm, 410mm, 510mm, 610mm
 The 86mm cable boxes are compatible with all workstations/tables.

Finishes:

Powder coat:

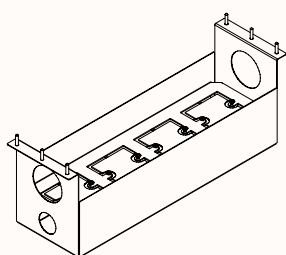


Dimensions:



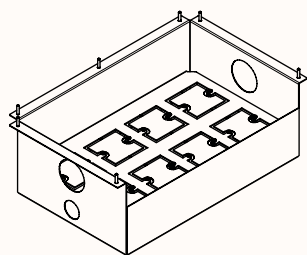
Single Row - Type A: 3, 4, 5 or 6 sockets

Length Range 310mm / 410mm / 510mm / 610mm
 Depth Range 150mm
 Height Range 150mm



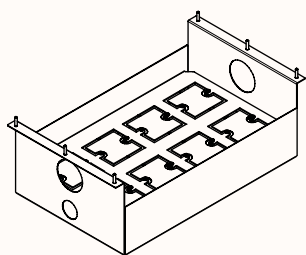
Single Row - Type B: 3, 4, 5 or 6 sockets

Length Range 310mm / 410mm / 510mm / 610mm
 Depth Range 130mm
 Height Range 150mm



Double Row - Type A: 6, 8, 10, or 12 sockets

Length Range 310mm / 410mm / 510mm / 610mm
 Depth Range 260mm
 Height Range 150mm



Double Row - Type B: 6, 8, 10, or 12 sockets

Length Range 310mm / 410mm / 510mm / 610mm
 Depth Range 260mm
 Height Range 150mm

86mm Cable Box (Variable Size)

86mm Cable Box (Variable Size)

Features:

The 86mm Cable Box suits 86mm sockets.

There are 3 types of 86mm Cable Boxes:

Single Row Type A, Single Row Type B, Double Row Type B.

For each type, it comes in various sockets. The 86mm cable boxes are compatible with all workstations/tables.

The Single Row boxes can have the sockets assembled on the LH or RH end. The Double Row box has the sockets assembled to the centre.

Finishes:

Powder coat:



Black Ace



Warm Grey



Cool Grey



Warm White



Cool White

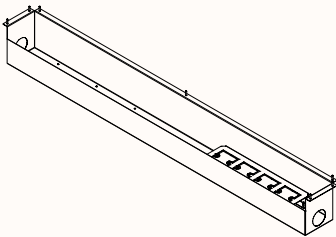
Dimensions:

Length Range 710-1400mm

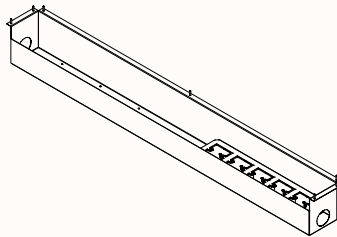
Depth Range 130-250mm

Height Range 100-250mm

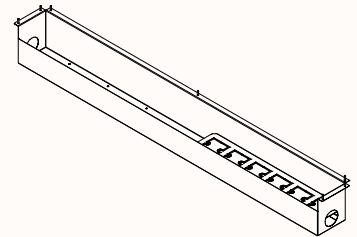
Single Row - Type A:



4 Sockets

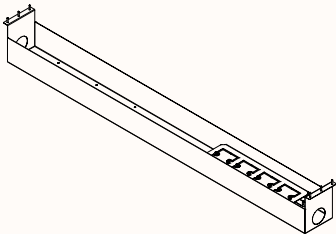


5 Sockets

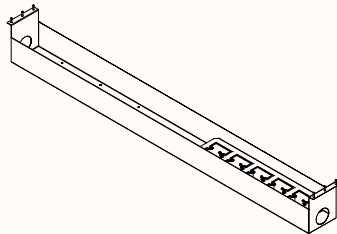


6 Sockets

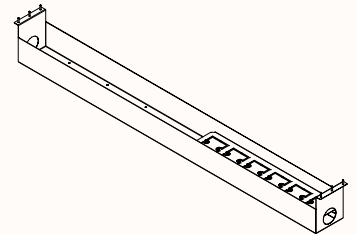
Single Row - Type B:



4 Sockets

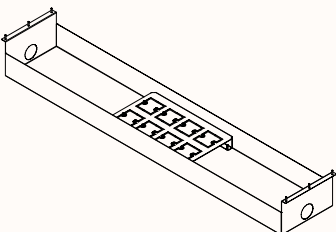


5 Sockets

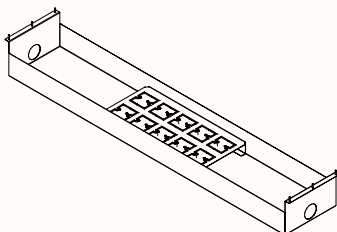


6 Sockets

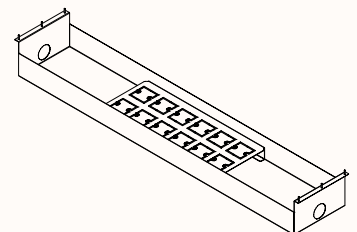
Double Row - Type B:



8 Sockets



10 Sockets



12 Sockets

Cable Tray Open & Closed

Cable Tray Open

Features:

The Open Cable Tray is a folded & powder coated sheet metal tray and is available in two types – ‘flange in’ and ‘flange out’. The open Cable Tray has a range of fixed standard sizes.

The Open Cable Tray can also be ordered as variable. For variable trays the length, width, height and flange height must be specified for each order. The ‘flange out’ variable tray has optional closed ends. The Open Cable Trays are compatible with all workstations/tables.

Finishes:

Powder coat:



Black
Ace



Warm
Grey



Cool
Grey

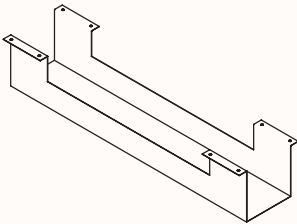


Warm
White



Cool
White

Dimensions:



Length Range	520mm ; 800mm ; 1000mm
Depth Range	150mm
Overall Height	150mm

Cable Tray Closed

Features:

The Closed Cable Tray is a folded & powder coated sheet metal tray and is available in two types – ‘flange in’ and ‘flange out’. The ‘flange in’ type has a smaller footprint but requires two slots on the bottom face to give access to the fasteners. The ‘flange out’ type has a bigger footprint but has no slots on the bottom.

The length, width, height, front & back flange height of the Closed Cable Tray are variable and must be specified for each order. The Closed Cable Trays are compatible with all workstations/tables.

Finishes:

Powder coat:



Black
Ace



Warm
Grey



Cool
Grey

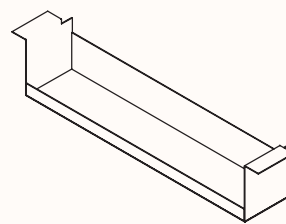


Warm
White



Cool
White

Dimensions:



Length Range	min 400 to max 1300mm
Height Depth	min 90 to max 250mm min 150 to max 300mm

Top Mount Plates

Features:

Top Mount Plates are folded sheet metal parts which fix to the underside of the worktop to house power/data outlets. The Top Mount Plates are designed to seamlessly integrate with other cable management products such as the Worktop Mount Duct.

Finishes:

Powder coat:



Black
Ace



Warm
Grey



Cool
Grey

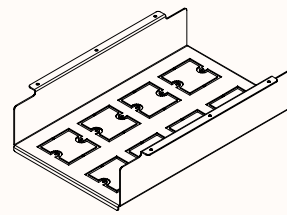


Warm
White



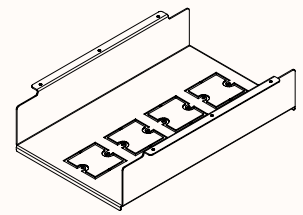
Cool
White

Dimensions:



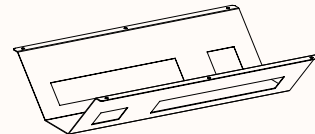
TMP3C 86mm Socket x 8

Length Range	416mm
Depth Range	286mm
Height Range	98mm



TMP2C 86mm Socket x 4

Length Range	416mm
Depth Range	286mm
Height Range	98mm



CMS/Elsafe TMP1A 2x Quad GPO & 2x Data

Length Range	410mm
Depth Range	284mm
Height Range	90mm

Worktop Mount Duct (With & Without Powerblade)

Worktop Mount Duct with Powerblade

Features:

The Worktop Mount Duct with powerblade is a simple folded steel cable tray with an integrated powerblade at one end. The duct and powerblade fix to the underside of the worktop, and the internal cover of the powerblade is removable. The duct is compatible with the Top Mount Plates.

Finishes:

Powder coat:



Black
Ace



Warm
Grey



Cool
Grey

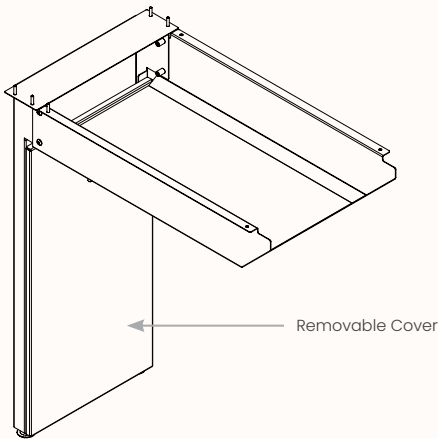


Warm
White



Cool
White

Dimensions:



Length Range	598mm
Depth Range	330mm
Duct Height	110mm to suit CMS/Elsafe top mount plates 160mm to suit 86mm socket top mount plates
Powerblade Height	Desk/table height – worktop thickness

Worktop Mount Duct without Powerblade

Features:

The Worktop Mount Duct without powerblade is a simple folded steel cable tray compatible with multiple different power/data requirements and other cable management products such as the Top Mount Plates. The underside of the duct comes with attachment points for an umbilical to the floor.

Finishes:

Powder coat:



Black
Ace



Warm
Grey



Cool
Grey

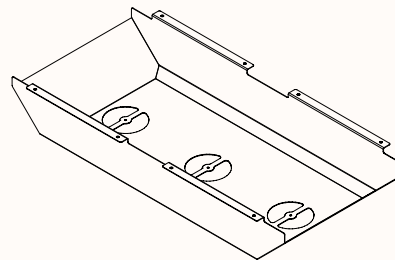


Warm
White



Cool
White

Dimensions:



Length Range	660mm
Depth Range	324mm
Overall Height	110mm to suit CMS/Elsafe top mount plates 160mm to suit 86mm socket top mount plates

PB40 Powerblade

Features:

The PB40 Powerblade is a versatile powerblade with can suit multiple mounting applications, either screw-fixed under a worktop or workstation leg. The powerblade covers can be specified as one side or both sides removable.

Finishes:

Powder coat:



Black
Ace



Warm
Grey



Cool
Grey

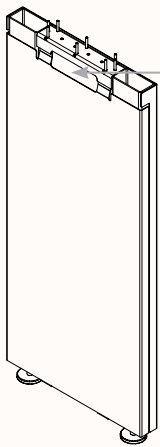


Warm
White



Cool
White

Dimensions:



Cable Exit Hole 104x30mm
(Removable Covers Only)

Length Range	300mm
Depth Range	40mm
Overall Height	Variable

96mm Powerblade

Features:

The 96mm Powerblade carries cables from the access floor to the 96mm duct. The 96mm duct can be fixed to the desk frame or the worktop (depending on the desk system). 96mm Powerblades are available in the following types:

- Orbis (suits 96mm duct frame-mounted to the crossbeam on pods or single desks with screen arms. Not suitable for single desks with duct arms)

Finishes:

Powder coat:



Black
Ace



Warm
Grey



Cool
Grey

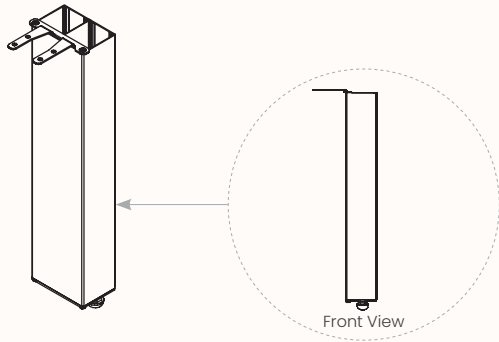


Warm
White



Cool
White

Dimensions:



Length Range	96mm
Depth Range	60mm
Overall Height	Variable

Orbis X Powerblade

Features:

The Orbis X-powerblade carries cables from the access floor to the 96mm duct. All parts are powdercoated. Compatible Orbis desk types are:

- O2CJ or Fixed Height, 180 degree pods with 96mm duct

The Orbis X-powerblades are available in the following types:

- End Legs with no cable through penetration: Suits pod with no requirement to run cabling to an adjoining pod.
- End Legs with cable through penetration: Suits pod with requirement to run cabling through to an adjoining pod.
- Shared Legs: Comes with ability to run cabling in either direction from shared leg.

Finishes:

Powder coat:



Black
Ace



Warm
Grey



Cool
Grey

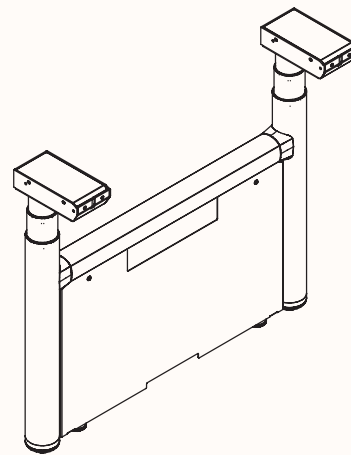


Warm
White



Cool
White

Dimensions:



Length Range	Variable
Depth Range	38mm
Overall Height	386mm

Leg Box

Features:

The Leg Box is a cosmetic shroud which can enclose the lower part of the workstation legs. The Leg Box is available in 4 types: O2CJ Pod, R2CJ Pod, O2CJ Single Desk, R2CJ Single Desk. The top, front and back faces of the Leg Box are constructed of sheet metal & have a powder coat finish. The side faces of the Leg Box are laminate.

Finishes:

Powder coat:



Black
Ace



Warm
Grey



Cool
Grey



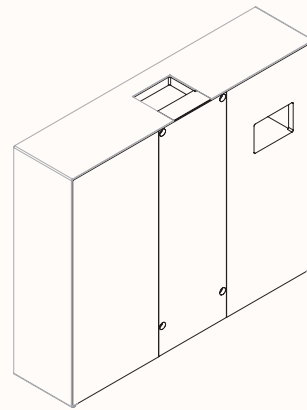
Warm
White



Cool
White

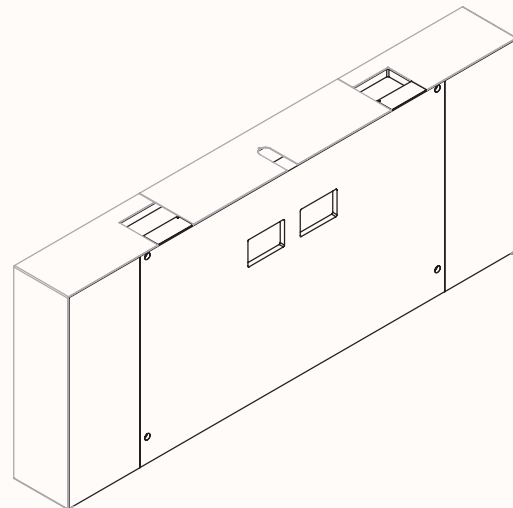
Side Faces: 18mm Laminate

Dimensions:



Leg Box

Length Range	150mm
Depth Range	630mm ; 900mm
Overall Height	450mm (Orbis Workstation) 517mm (Rumba Workstation)



Leg Box Pod

Length Range	150mm
Depth Range	Variable
Overall Height	450mm (Orbis Workstation) 517mm (Rumba Workstation)