

# Cable Management



## CONTENTS:

Cable Hub	<a href="#">2</a>
Glovebox	<a href="#">4</a>
Wire Basket	<a href="#">5</a>
Felt Basket	<a href="#">6</a>
Services Mounting Plate	<a href="#">7</a>
Cable Sleeve	<a href="#">8</a>
Cable Tractor	<a href="#">10</a>
Cable Cover	<a href="#">11</a>
Rectangular Umbilical	<a href="#">12</a>
96mm Duct Mounted on Z Bracket	<a href="#">13</a>
96mm Duct Mounted on Vertical Bracket	<a href="#">13</a>
Omni Duct	<a href="#">14</a>
Cable Duct	<a href="#">15</a>
Hinged Front Cable Box	<a href="#">16</a>
86mm Under Desk Box	<a href="#">17</a>
Cable Tray Open & Closed	<a href="#">18</a>
Powerblade	<a href="#">19</a>

# Cable Hub – 500mm

## Features:

The Cable Hub has two sets of mounting brackets at each end and can be fixed to the worktop at two different heights. Please ensure it will not clash with other items fixed underneath the worktop such as table support beams or in-desk boxes.

## Options:

- Cable Hub
- Cable Hub with Cable Sleeve
- Cable Hub with Tractor

## Finishes:

### 100% Recyclable PET:



Mid-Grey

### Powder coated Mounting Brackets:

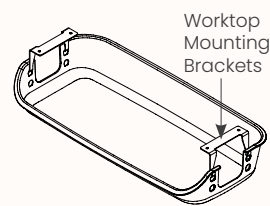


Warm  
Grey



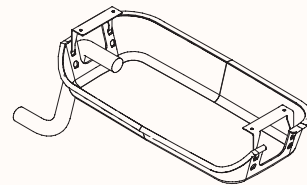
Cool  
Grey

## Dimensions:



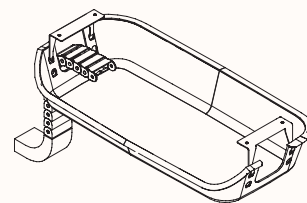
### Cable Hub

Length Range	530mm
	500mm (Internal)
Depth Range	250mm
Overall Height	100mm ; 125mm



### Cable Hub with Cable Sleeve

Length Range	530mm
	500mm (Internal)
Depth Range	250mm
Overall Height	100mm ; 125mm



### Cable Hub with Tractor

Length Range	530mm
	500mm (Internal)
Depth Range	250mm
Overall Height	100mm ; 125mm

# Cable Hub – 950mm

## Features:

The Cable Hub has two sets of mounting brackets at each end and can be fixed to the worktop. Please ensure it will not clash with other items fixed underneath the worktop such as table support beams or in-desk boxes.

## Options:

- Cable Hub
- Cable Hub with cable sleeve
- Cable Hub with Tractor

## Finishes:

### 100% Recyclable PET:



Mid-Grey

### Powder coated Mounting Brackets:

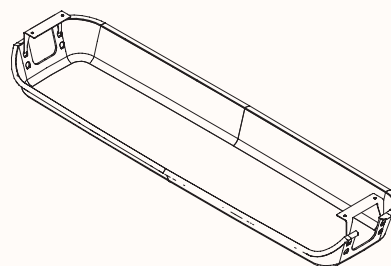


Warm  
Grey



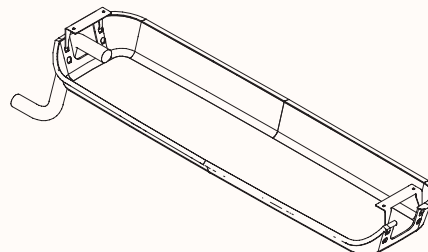
Cool  
Grey

## Dimensions:



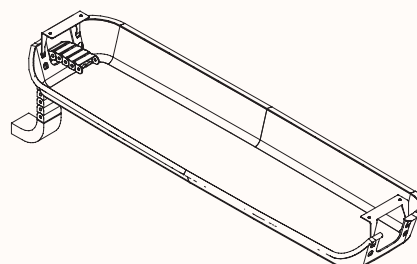
### Cable Hub

Length Range	980mm 950mm (Internal)
Depth Range	250mm
Overall Height	100mm ; 125mm



### Cable Hub with Cable Sleeve

Length Range	980mm 950mm (Internal)
Depth Range	250mm
Overall Height	100mm ; 125mm



### Cable Hub with Tractor

Length Range	980mm 950mm (Internal)
Depth Range	250mm
Overall Height	100mm ; 125mm

# Glovebox

## Glovebox with or without Power Plate

### Features:

The Glovebox is a formed PET cable dump in a fixed size. A low cost and less capacity alternative to the power plate is to order the Glovebox 'without power plate' and then separately order the Services Mount Plate.

### Options:

- Power plate for housing CMS soft wiring sockets

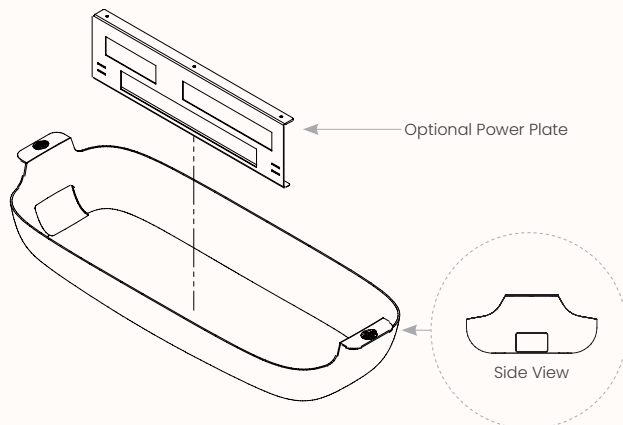
### Finishes:

#### 100% Recyclable PET:



Mid-Grey

### Dimensions:



Length Range	876mm
Depth Range	325mm
Overall Height	152mm

# Wire Basket

## Wire Basket - 950mm

### Features:

Wire Baskets are made of wire mesh folded into a range of standard basket sizes. The worktop mounting brackets are welded to the mesh and the basket is then powder coated. The basket height/depth depends on the worktop mounting brackets.

### Options:

- Single Sided
- Double Sided

### Finishes:

#### Powder coat:



Black  
Ace



Warm  
Grey



Cool  
Grey

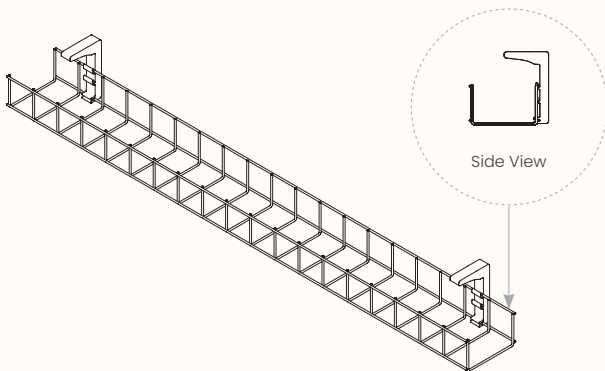


Warm  
White



Cool  
White

### Dimensions:



Length Range	950mm
Depth Range	50mm
Overall Height	50mm

# Felt Basket

## Features:

Felt Basket works in conjunction with a Cable Sleeve or a third party Umbilical to bring the cabling neatly up from the floor into the basket.

## Options:

- With or without Cable Sleeve

## Finishes:

### Felt:

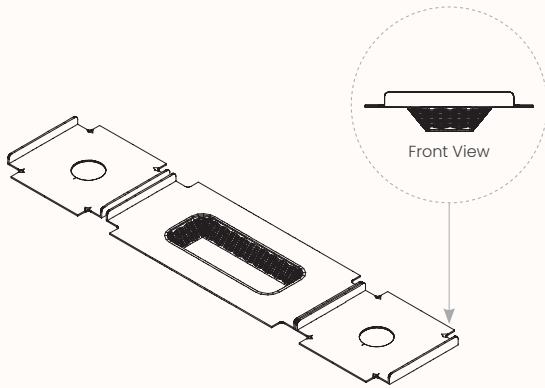


Grey



Charcoal

## Dimensions:



Length Range	766-2400mm
Depth Range	236-500mm
Overall Height	30mm

Max in desk box at expandable section: 400L x 150W x 120D

# Services Mounting Plate

## Features:

The Services Mount Plate is a simple folded sheet metal part to suit required power and data softwiring outlets. The overall plate size is fixed, and are available two types of plates – dual and quad.

## Options:

- Dual plate fit 2x data and 2x GPO
- Quad plate can fit 2x data and 4x GPO

## Finishes:

### Powder coat:



Black  
Ace



Warm  
Grey



Cool  
Grey

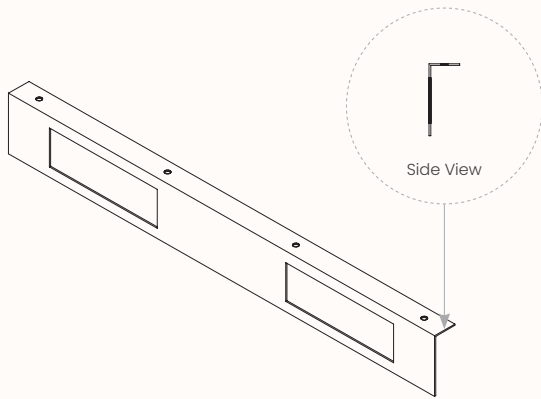


Warm  
White



Cool  
White

## Dimensions:



Length Range	520mm
Depth Range	25mm
Overall Height	65mm

# Cable Sleeve

## Features:

The Cable Sleeve brings the cabling neatly up from the underside of the desktop to the cable tray or floor. It pairs perfectly with the 'Felt Basket & Cable Hub', but can also be used independently. The Sleeve is a textured fabric and can safely hold 1 x Power and 2 x Data cables.

## Options:

- With or without Felt Basket

## Finishes:

### Fabric:



Black

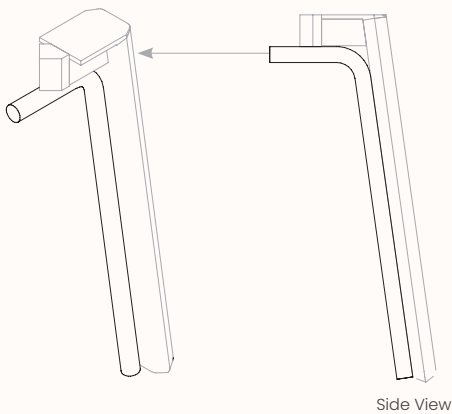


Grey



White

## Dimensions:



Length Range	25mm
Depth Range	1mm
Overall Height	1000mm



# Cable Sleeve with ABS

**Features:**

The braided Cable Sleeve cleverly conceals the under desk cabling on all Zenith workstations. Designed with a loop at each end to attach the sleeve to the worktop and ducting or floor. Each sleeve can house a maximum of 2 power and 5 data cables. The Sleeve is a textured fabric with a matching ABS guide. It is located inside the braided Cable Sleeve to stiffen the fabric giving it a more rigid appearance. The ABS strip can be removed if desired.

**Finishes:****Fabric:**

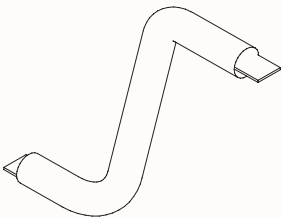
Black



Grey



White

**Dimensions:**

DIA	25mm
Length Range	1000mm

# Cable Tractor

## Features:

The Cable Tractor carries cables from the duct to the worktop and is mainly suited to height adjustable desks. It comes with end brackets and fasteners and has no internal segregation.

## Finishes:

### Powder coat:



Black  
Ace

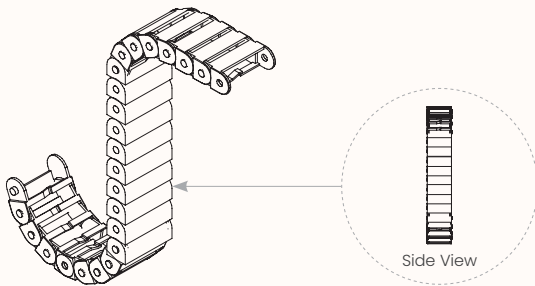


Warm  
White



Cool  
White

## Dimensions:



Length Range	50mm
Depth Range	20mm
Overall Height	1000mm

# Cable Cover

## Features:

The cable cover carries cables from the floor up the workstation/table leg to the underside of the worktop. Plastic clips are screw-fixed to the leg, and an extruded cover pushes on over the cables.

## Options:

- Can hold up to 3 power cables or 6 data cables

## Finishes:

Plastic Clip: Black Matte

## Powder coat:



Black  
Ace



Warm  
Grey



Cool  
Grey



Warm  
White



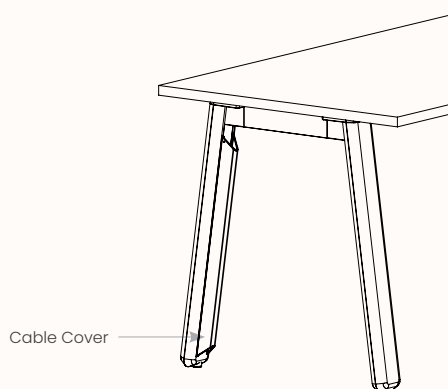
Cool  
White

## Timber:



Oak  
Vinyl

## Dimensions:



Length Range	49mm
Depth Range	34mm
Overall Height	Calculated to suit table/workstation type & height

# Rectangular Umbilical

## Features:

The Rectangular Umbilical carries cables from the duct to the worktop and is mainly suited to height adjustable desks. There are two types of mounting brackets to suit different desk systems:

### Rectangular Umbilical – Vertical Cable Management

The Rectangular Umbilical carries cables from the access floor to the worktop and comes with a floor base at one end and a worktop mounting bracket at the other end. The umbilical comes in a variety of lengths to suit different desk applications:

- 750mm L (suits 720 / 750H fixed height desks)
- 900mm L (suits 900H fixed height desks)
- 1050mm L (suits 1050H fixed height desks)
- 1230mm L (suits electric adjust desks)

The umbilical segment is approx. 68mm x 36mm and has internal segregation into 4 compartments.

## Finishes:

### Powder coat:



Black  
Ace



Warm  
Grey



Cool  
Grey



Warm  
White



Cool  
White

## Dimensions:



Length Range	68mm
Depth Range	36mm
Overall Height	750/900/1000/1050/1230mm

# 96mm Duct Mounted on Z Bracket / Vertical Bracket

## 96mm Duct Mounted on Z Bracket

### Features:

The 96mm Duct can be fixed to the worktop using Z-brackets. The Z-brackets offset the duct to give flexibility in the mounting position and avoid other items under the worktop.

### Finishes:

#### Powder coat:



Black Ace



Warm Grey



Cool Grey

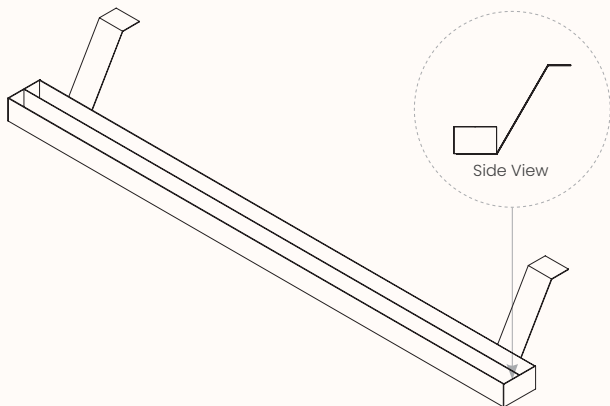


Warm White



Cool White

### Dimensions:



Length Range	500-2700mm
Depth Range	236mm
Overall Height	160mm

## 96mm Duct Mounted on Vertical Bracket

### Features:

The 96mm Duct can be fixed to the worktop using vertical brackets. The Vertical Brackets provide a smaller footprint and give flexibility in the mounting position and avoid other items under the worktop.

### Finishes:

#### Powder coat:



Black Ace



Warm Grey



Cool Grey

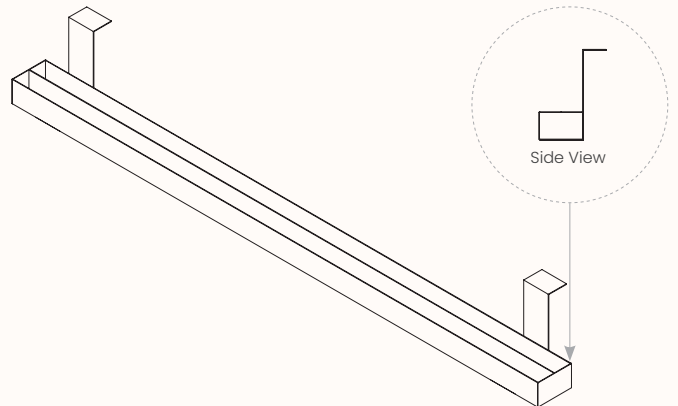


Warm White



Cool White

### Dimensions:



Length Range	500-2700mm
Depth Range	149mm
Overall Height	160mm

# Omni Duct

## Omni Duct

### Features:

Omni Duct has 3 rows of formed detail in the tray so that power and data can be segregated in the separate rows. Double or Quad GPO Inserts clip into Omni Duct.

### Options:

- Cable Divider can be specified for physical separation in Omni Duct
- With or without plates

### Finishes:

#### Powder coat:



Black  
Ace



Warm  
Grey



Cool  
Grey

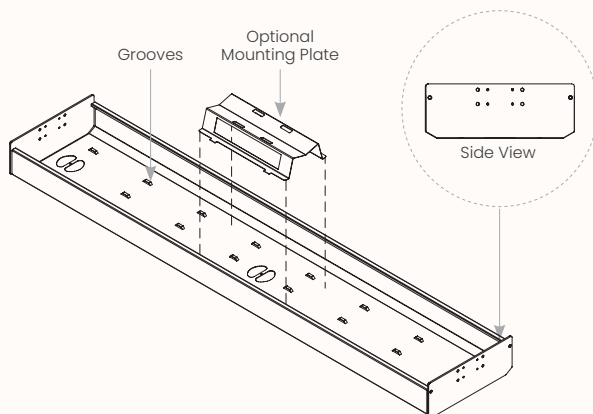


Warm  
White



Cool  
White

### Dimensions:



Length Range	Variable
Depth Range	300mm
Overall Height	88mm

# Cable Duct

## Features:

The Cable Duct is a simple folded sheet metal part with variable sizing. The length, width, height and front flange height of the Cable Duct are variable. The Cable Ducts are compatible with all workstations/tables.

## Finishes:

### Powder coat:



Black  
Ace



Warm  
Grey



Cool  
Grey

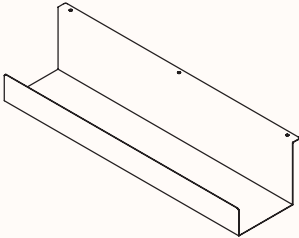


Warm  
White



Cool  
White

## Dimensions:



Length Range	min 300 to max 1250mm
Depth Range	min 90 to max 150mm
Overall Height	min 90 to max 150mm

# Hinged Front Cable Box & 86mm Under Desk Box

## Hinged Front Cable Box

### Features:

The Cable Box is folded sheet metal and has a hinged door to give access to internal cabling. The door has a magnetic closure and there is a cutout at each end of the Cable Box for cables to pass through. The length, width and height of the Cable Box & hinged door are variable. The hinged-front Cable Boxes are compatible with all workstations/tables.

### Finishes:

#### Powder coat:



Black  
Ace



Warm  
Grey



Cool  
Grey

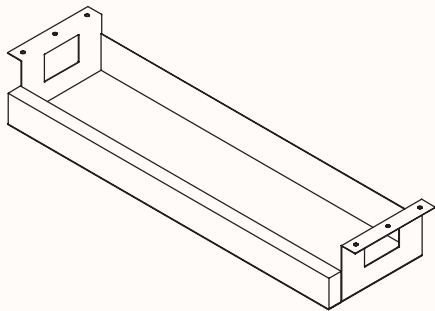


Warm  
White



Cool  
White

### Dimensions:



Length Range	min 400 to max 1300mm
Depth Range	min 150 to max 300mm
Overall Height	min 90 to max 250mm

## 86mm Under Desk Box

### Features:

The 86mm Cable Box suits 86mm sockets.

There are 4 types of 86mm Cable Boxes:

Single Row Type A, Single Row Type B, Double Row Type A, Double Row Type B.

For each type of 86mm cable box there are 3 standard sizes available: 410mm, 510mm, 610mm

The 86mm cable boxes are compatible with all workstations/tables.

### Finishes:

#### Powder coat:



Black  
Ace



Warm  
Grey



Cool  
Grey

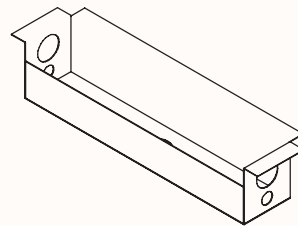


Warm  
White



Cool  
White

### Dimensions:



Length Range	410mm ; 510mm 610mm
Depth Range	86mm



# Cable Tray Closed & Open

## Cable Tray Open

### Features:

The Open Cable Tray is a folded & powder coated sheet metal tray and is available in two types – ‘flange in’ and ‘flange out’. The open Cable Tray has a range of fixed standard sizes.

The Open Cable Tray can also be ordered as variable. For variable trays the length, width, height and flange height must be specified for each order. The ‘flange out’ variable tray has optional closed ends. The Open Cable Trays are compatible with all workstations/tables.

### Finishes:

#### Powder coat:



Black  
Ace



Warm  
Grey



Cool  
Grey

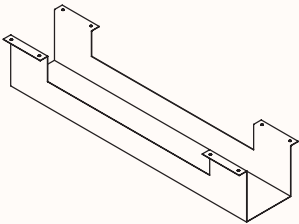


Warm  
White



Cool  
White

### Dimensions:



Length Range	520mm ; 800mm ; 1000mm
Depth Range	150mm
Overall Height	150mm

## Cable Tray Closed

### Features:

The Closed Cable Tray is a folded & powder coated sheet metal tray and is available in two types – ‘flange in’ and ‘flange out’. The ‘flange in’ type has a smaller footprint but requires two slots on the bottom face to give access to the fasteners. The ‘flange out’ type has a bigger footprint but has no slots on the bottom.

The length, width, height, front & back flange height of the Closed Cable Tray are variable and must be specified for each order. The Closed Cable Trays are compatible with all workstations/tables.

### Finishes:

#### Powder coat:



Black  
Ace



Warm  
Grey



Cool  
Grey

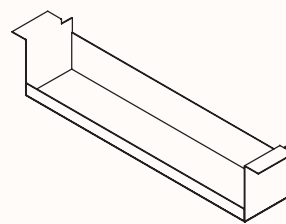


Warm  
White



Cool  
White

### Dimensions:



Length Range	min 400 to max 1300mm
Height Depth	min 90 to max 250mm min 150 to max 300mm

# 96mm Powerblade

## Features:

The 96mm Powerblade carries cables from the access floor to the 96mm duct. The 96mm duct can be fixed to the desk frame or the worktop (depending on the desk system). 96mm Powerblades are available in the following types:

- Silhouette 720H or 750H (suits any 96mm duct on Z-brackets or vertical brackets mounted to the worktop – therefore can be used on other desk frames such as Kissen, Epic Plus)
- Orbis (suits 96mm duct frame-mounted to the crossbeam on pods or single desks with screen arms. Not suitable for single desks with duct arms)
- Rumba (suits 96mm duct frame-mounted to the 517H or 615H crossbeam / screen arm / duct arm on single desks and pods or 96mm dropped duct)

## Finishes:

### Powder coat:



Black  
Ace



Warm  
Grey



Cool  
Grey

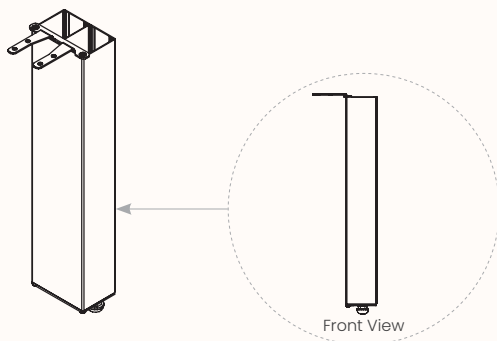


Warm  
White



Cool  
White

## Dimensions:



Length Range	96mm
Depth Range	60mm
Overall Height	Variable