

ADD System



Features:

To create a large collection, adding further elements is not enough. A concept is required that smoothly introduces each element. ADD SYSTEM follows this concept, combining ADD, ADD T and ADD S modular collections in a single furnishing philosophy. Consistent and versatile, the various elements complement each other. ADD SYSTEM achieves an entirely Italian goal: to customise industrial production.

Options:

- Partition for P340 and P346

See Add System Components Specification for individual component dimensions.

Design: FRANCESCO ROTA for LAPALMA

Warranty: 5 years

Certifications: FSC

Finishes:

Partition: Timber, HPL Fenix or upholstered in fabric collection categories A, B, C or D

Refer to Lapalma's Finishes Specification

Work tops and Modesy Panel: HPL Fenix or timber

Frame powder coated aluminium: Black or white

HPL Fenix:



Black



White



Grigio
Londra



Rosso
Jaipur

Timber:



Blanché
Oak



Black
Open pore

Powder Coat:

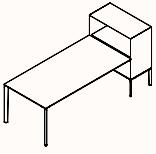


Black

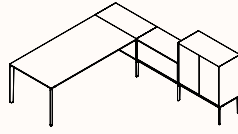


White

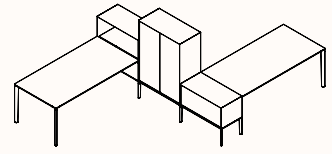
Configurations



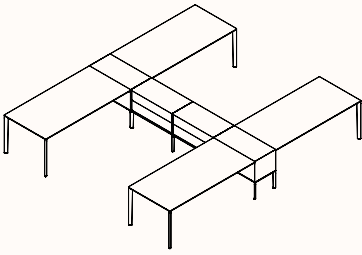
I Shape



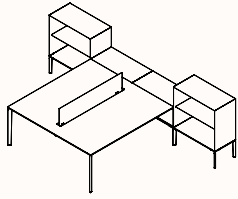
L Shape



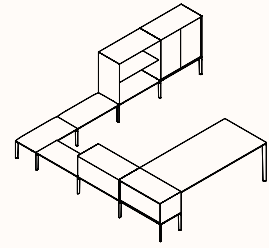
S Shape



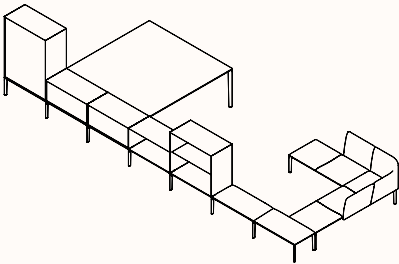
H Shape



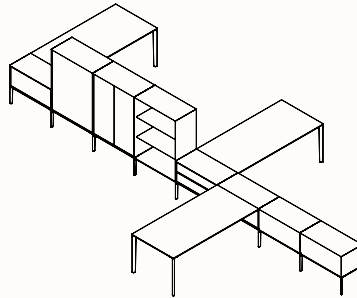
T Shape



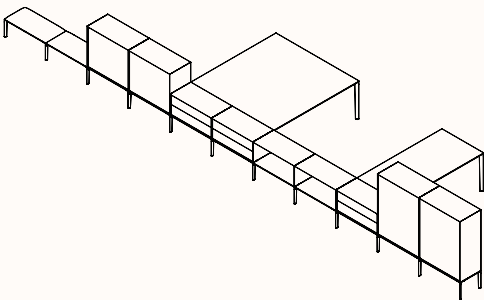
U Shape



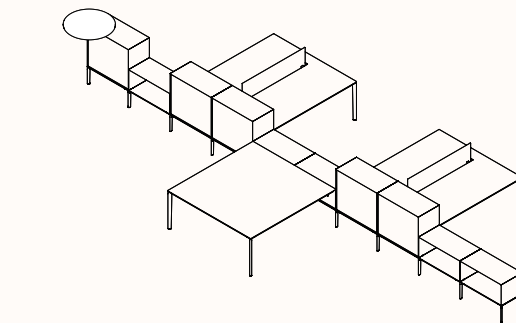
Meeting



Asymmetrical Workstation 1

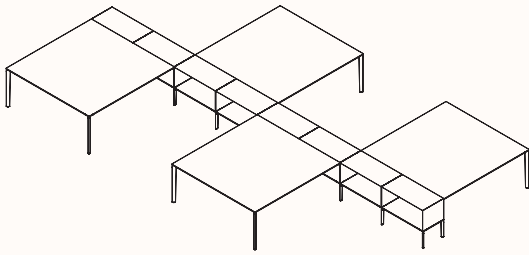


Asymmetrical Workstation 2

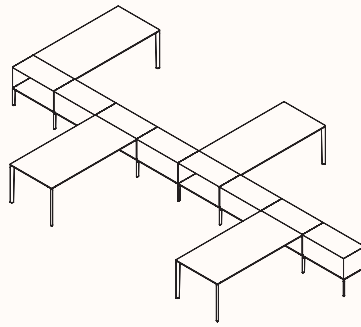


Asymmetrical Workstation 3

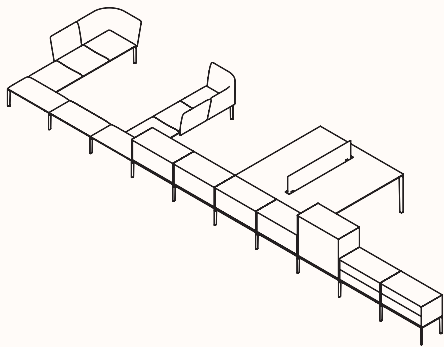
Configurations



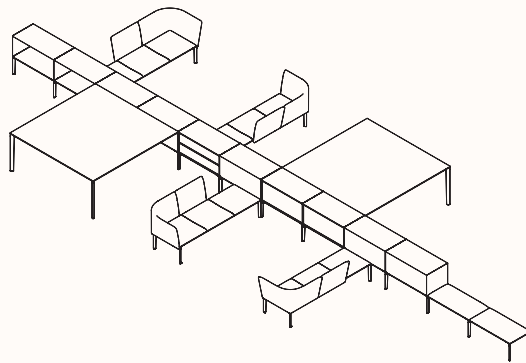
Symmetrical Workstation - Square



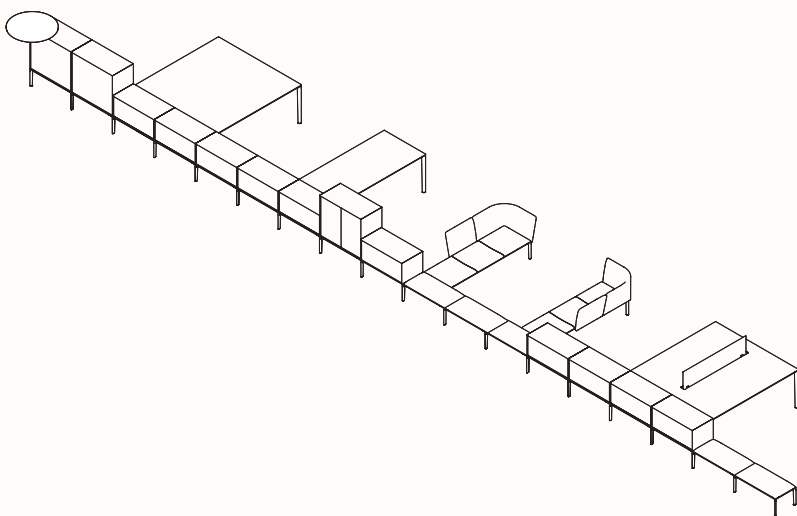
Symmetrical Workstation - Rectangle



Complex Office - Small



Complex Office Symmetrical - Medium



Complex Office - Big