

ADD Storage System



Features:

In line with the inventive creativity of seating, ADD Storage System can be arranged in a versatile way, combined with tables. Doublesided, open or closed with drawers and doors these furniture units easily furnish the centre of a room and its walls.

See Add Storage System Components Specification for individual component dimensions.

Design: FRANCESCO ROTA for LAPALMA

Warranty: 5 years

Certifications: FSC

Finishes:

Powder coat frame: Black or white

Drawers: Timber, lacquered or upholstered (doors and back)

Upholstery in fabric collection categories A or B

Refer to Lapalma Finishes Specification

Table top: HPL Fenix

Timber:



Blached
Oak

Lacquer HPL Fenix & Powder Coat Colours:

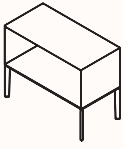


Black

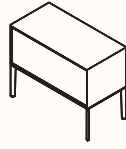


White

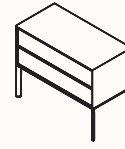
Configurations



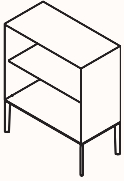
S Open



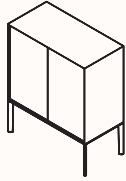
S Flap Door



S Two Drawers



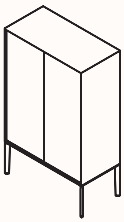
M Open



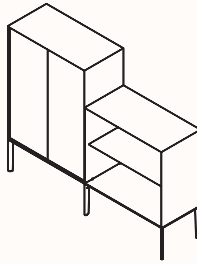
M Doors



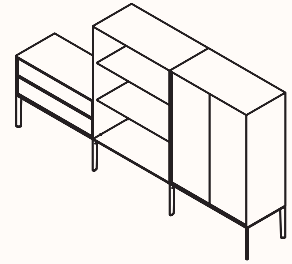
L Open



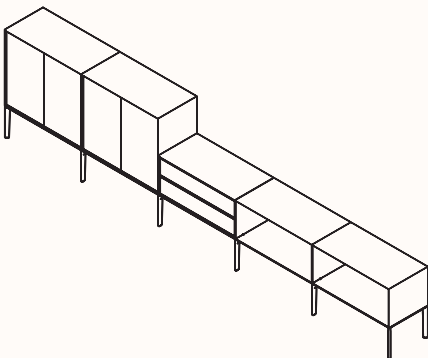
L Doors



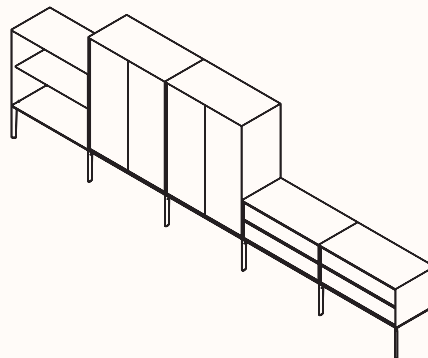
L Doors + M Open



S Two Drawers + L Open + L Doors



M Double Doors + S Two Drawers + S Open Double



M Open + L Double Doors + S Two Drawers Double